

\*\*\* PRELIMINARY REVISION FOR REFERENCE \*\*\*

DELTA ELECTRONICS, INC.  
 252, SHANG YING ROAD, KUEI SAN  
 TAOYUAN HSIEN 333, TAIWAN.

TEL : 886-(0)3-3591968  
 FAX : 886-(0)3-3591991

SPECIFICATION FOR APPROVAL  
 \*\*\*\*\*

Customer:

Description:	GT FAN		
Customer P/N:		REV:	
Delta Model NO.:	GTB040PUD27R N1	Safety Model NO.:	
Sample Rev:	X01	Issue NO:	
Sample Issue Date:		Quantity:	

1. SCOPE:

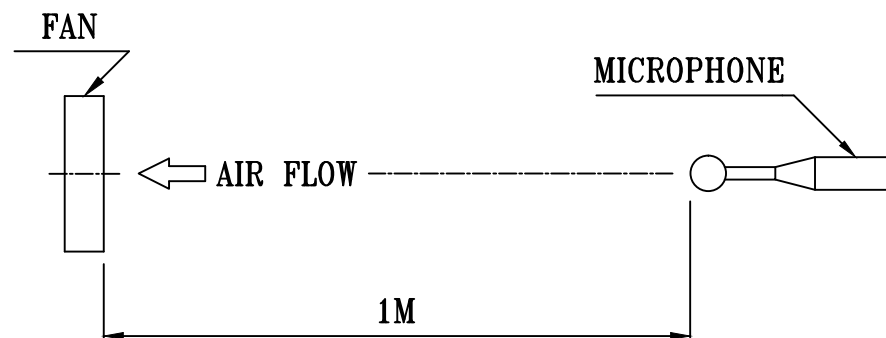
THIS SPECIFICATION DEFINES THE ELECTRICAL AND MECHANICAL CHARACTERISTICS OF THIS CENTRIFUGAL FAN.

2. NOMINAL DATA:

UNLESS SPECIFIED, ALL READINGS AND TESTS ARE BASED ON 25 DEG C, 65% RH.

ITEM	DESCRIPTION
NOMINAL VOLTAGE	3 $\phi$ 400 VAC 50/60Hz
NOMINAL VOLTAGE RANGE	3 $\phi$ 380 - 480 VAC
INPUT POWER @ FREE-AIR	690 W
INPUT POWER @ MAX. LOAD	1000 W
INPUT CURRENT (MAX)	1.75 A
SPEED	2140 R.P.M. (REF.)
MAX. AIR FLOW (AT ZERO STATIC PRESSURE)	5270 ( MIN. 4743) M <sup>3</sup> /H 3102 ( MIN. 2792) CFM
MAX. AIR PRESSURE (AT ZERO AIR FLOW)	831.7 ( MIN. 673.7) Pa 3.339 ( MIN. 2.705) inchH <sub>2</sub> O
ACOUSTICAL NOISE (AVG.) @ FREE-AIR	81.0 (MAX 86.0) dB(A)

- NOTES: 1. ALL READINGS ARE MEASURED AFTER STABLY WARMING UP THROUGH 10 MINUTES.  
 2. THE VALUES WRITTEN IN PARENS , ( ), ARE LIMITED SPEC.  
 3. ACOUSTICAL NOISE MEASURING CONDITION:



NOISE IS MEASURED AT NOMINAL VOLTAGE IN FREE AIR IN ANECHOIC CHAMBER WITH B & K SOUND LEVEL METER WITH MICROPHONE AT A DISTANCE OF ONE METER FROM THE FAN INTAKE.

\*\*\* PRELIMINARY REVISION FOR REFERENCE \*\*\*

PART NO:

DELTA MODEL: GTB040PUD27R N1

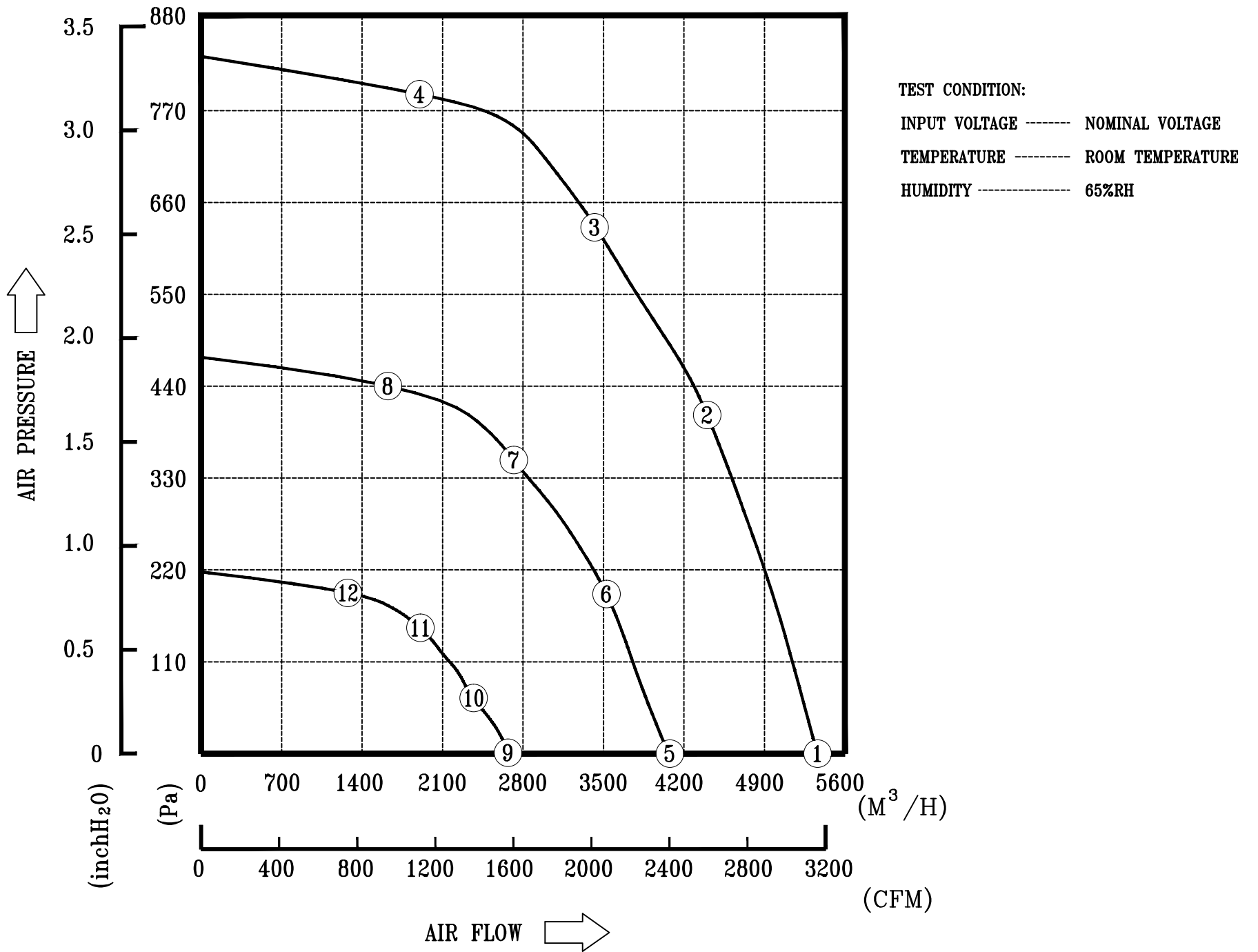
3. FEATURES:

DIRECTION OF ROTATION	CLOCKWISE, SEEN ON ROTOR
BEARING SYSTEM	BALL BEARINGS
WEIGHT	11.6 K.G. (REF.)
MATERIAL OF ELECTRONICS HOUSING	DIE-CAST ALUMINUM
MATERIAL OF IMPELLER	ALUMINUM SHEET
ELECTRICAL LEADS	VIA TERMINAL BLOCK
MOTOR PROTECTION	OVER TEMPERATURE PROTECTED
LEAKAGE CURRENT	<= 3.5 mA
INSULATION CLASS	B
TYPE OF PROTECTION	IP54
PROTECTION CLASS	I
POWER FACTOR CORRECTION	PASSIVE
OPERATING TEMPERATURE	-25~+60 °C (REF.)
STORAGE TEMPERATURE	-40~+70 °C (REF.)
EMC	EN61000-6-2/3 , EN61000-3-2/3
SAFETY	* UL , cUL , TUV
LIFE EXPECTANCE	* 60,000 HOURS CONTINOUS OPERATION AT 40 °C WITH 15 ~ 65 %RH.
FUNCTIONS	- CONTROL INPUT 0-10VDC or PWM PATTERN or 4-20mA - OUTPUT +10VDC(±10%), max. 10mA - CONTROL VOLTAGE OUTPUT, 0-10VDC - RS485 CONTROL BUS - ALARM RELAY, LOCKED ROTOR PROTECTION, SOFT START - SPEED TELLING, FREQUENCY GENERATOR SIGNAL - VOLTAGE/CURRENT MONITORING

PART NO:

DELTA MODEL: GTB040PUD27R N1

4. P & Q CURVE:



MEASURED DATA:

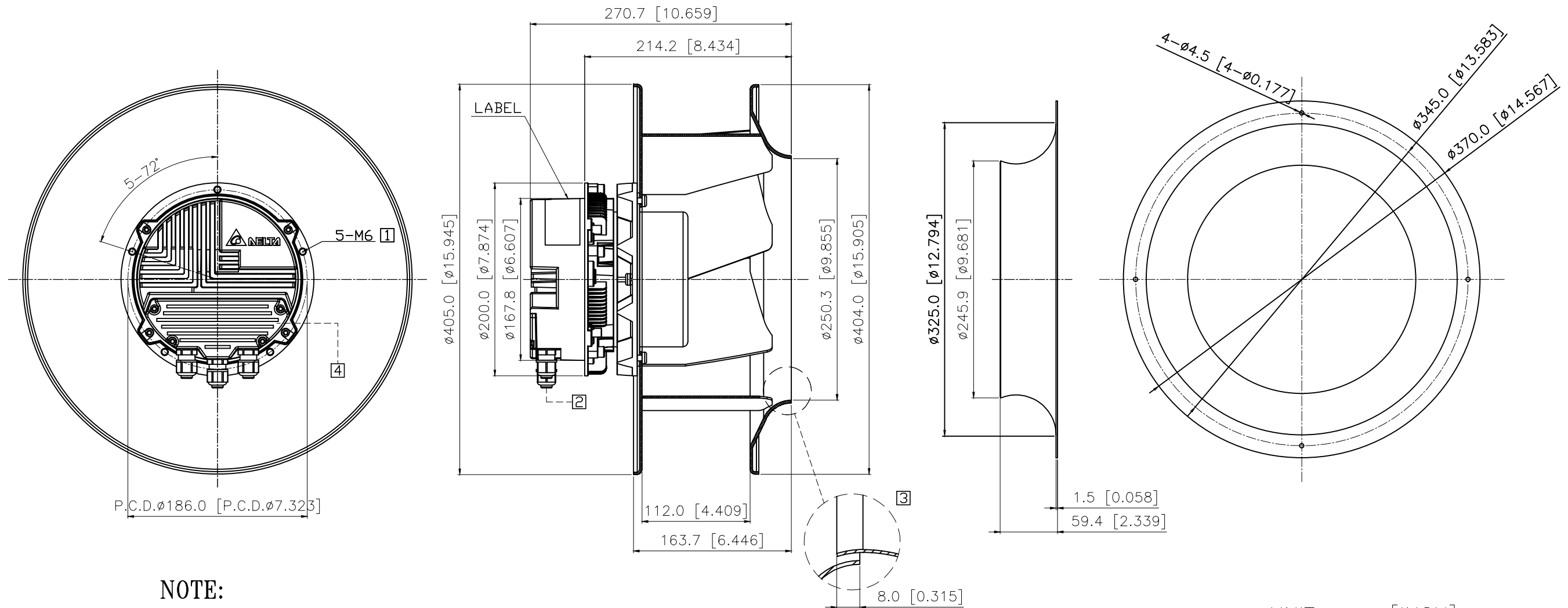
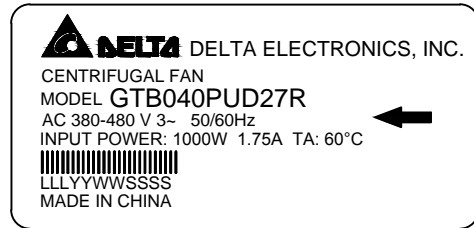
	P	Q	N	P1	I	Lp
	[Pa]	[M <sup>3</sup> /H]	[R.P.M.]	[W]	[A]	[dB(A)]
1	0	5270	2120	690	1.26	81.0
2	415.5	4371	2116	950	1.63	
3	626.2	3448	2114	1000	1.72	
4	786.0	2048	2119	910	1.56	
5	0	4045	1610	316	0.65	73.1
6	197.0	3514	1605	393	0.81	
7	344.0	2741	1605	440	0.86	
8	441.0	1942	1608	430	0.86	
9	0	2669	1071	101	0.26	64.3
10	78.4	2304	1065	126	0.31	
11	156.8	1852	1070	143	0.33	
12	195.0	1348	1070	141	0.33	

PART NO:

DELTA MODEL: GTB040PUD27R N1

5. DIMENSION DRAWING:

LABEL



NOTE:

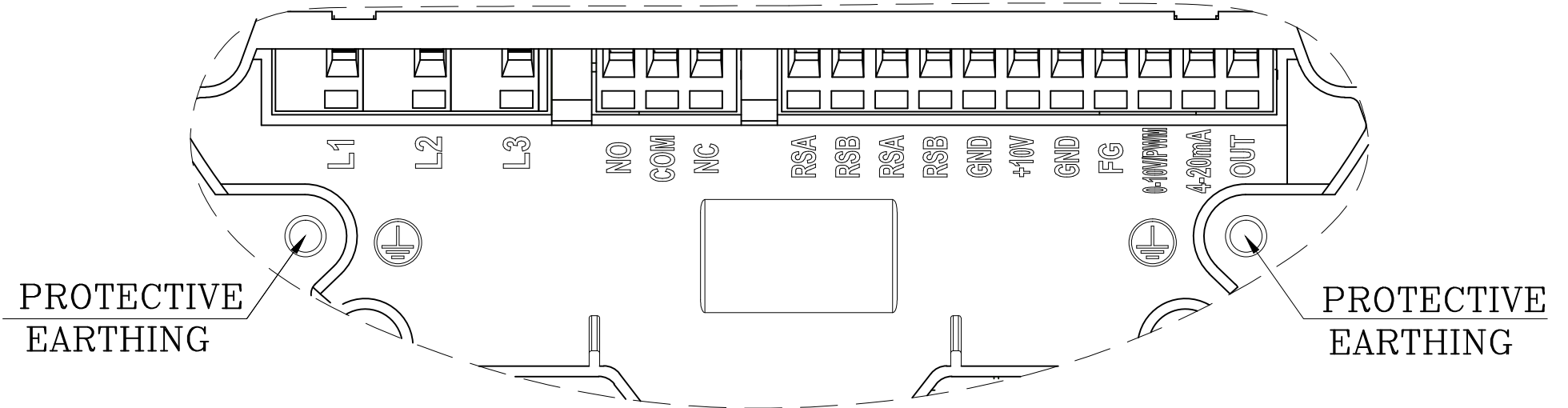
- ① DEPTH OF SCREW: 12~16mm.
- ② CABLE DIAMETER:  $\phi 6.0 \sim \phi 10.0$ mm.
- ③ ACCESSORY: INLET NOZZLE, ALL THE PERFORMANCE DATA ARE MEASURED WITH IT.
- ④ OPEN THE COVER AND REFER TO DEFINITION OF TERMINAL BLOCK.
- ⑤ THIS PRODUCT IS RoHS COMPLIANT.

UNIT: mm [INCH]

PART NO:

DELTA MODEL: GTB040PUD27R N1

6. DEFINITION OF TERMINAL BLOCK:



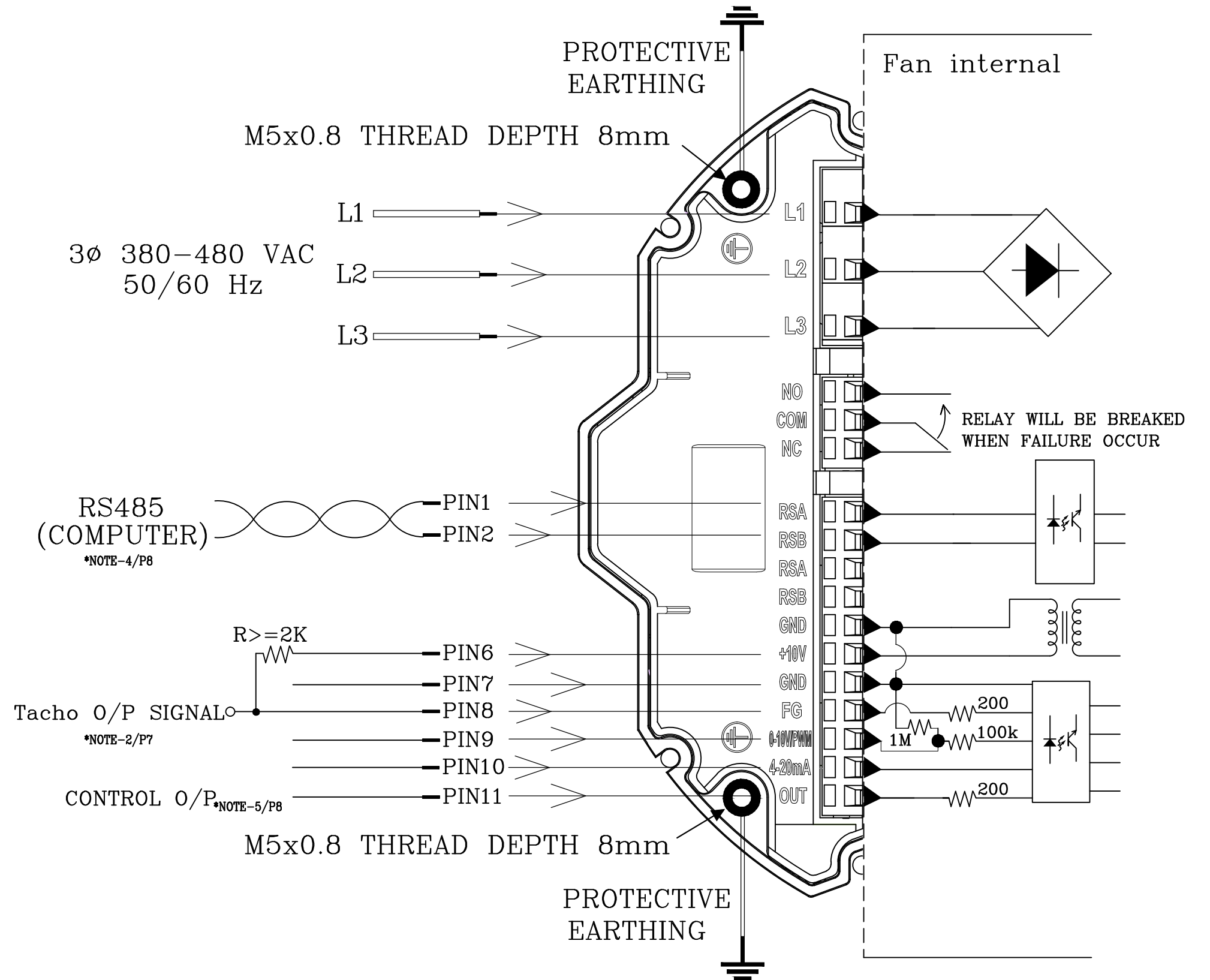
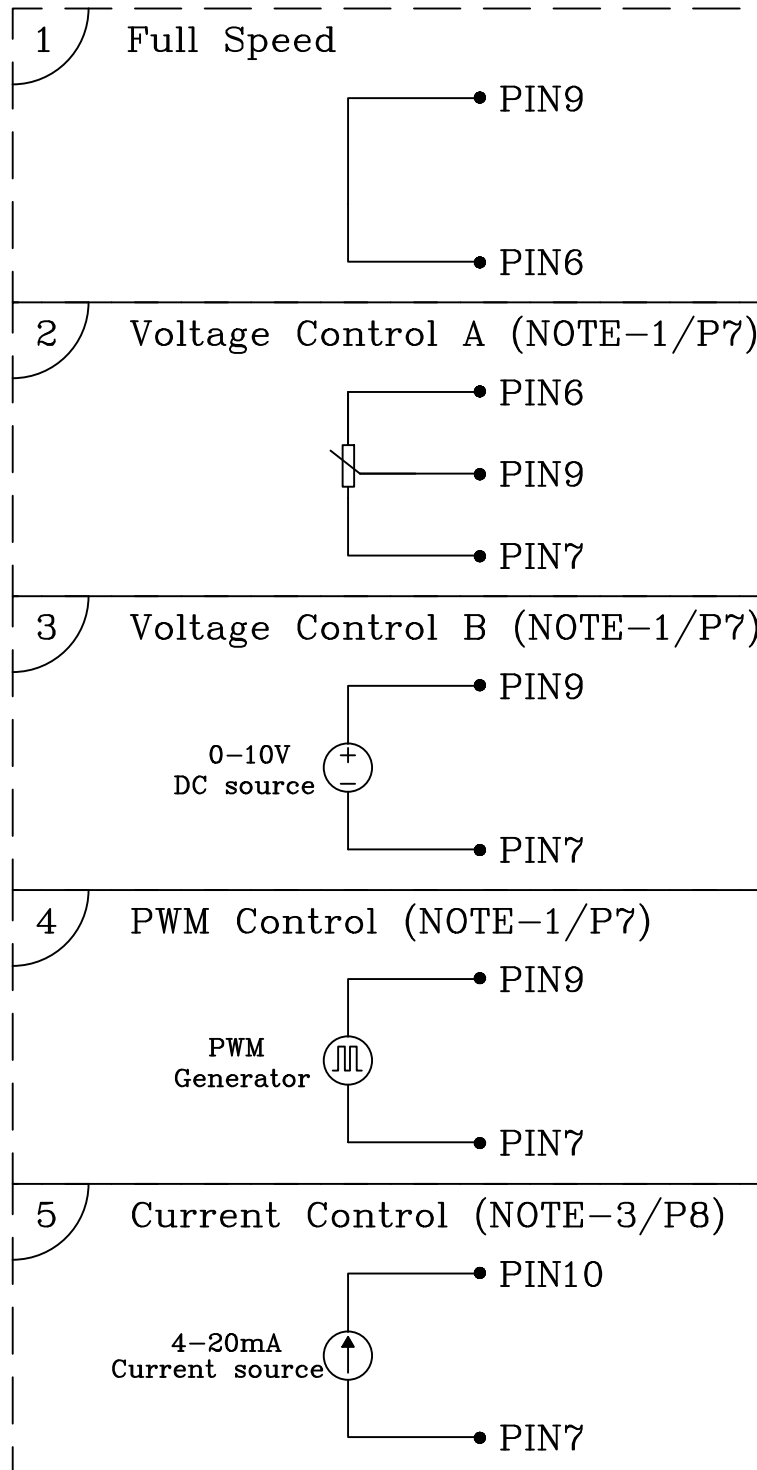
TEXT	FUNCTIONS
L1	AC MAINS
L2	AC MAINS
L3	AC MAINS
NO	ALARM RELAY, CLOSE BY FAILURE
COM	ALARM RELAY, COMMON(2A/250VAC)
NC	ALARM RELAY, OPEN BY FAILURE
RSA	RS485-A
RSB	RS485-B
RSA	RS485-A
RSB	RS485-B
GND	GROUND
+10V	+10V OUTPUT, MAX 10mA (FOR EXTERNAL POTENTIOMETER)
GND	GROUND
FG	FREQUENCY GENERATOR (FG) SIGNAL
0-10V/PWM	SPEED CONTROL, INPUT 0-10VDC
4-20mA	SPEED CONTROL, INPUT 4-20mA
OUT	CONTROL VOLTAGE OUTPUT 0-10VDC (FOR EXTERNAL POTENTIOMETER)

PART NO:

DELTA MODEL: GTB040PUD27R N1

7. LEAD WIRE CONNECTION:

SPEED CONTROL APPLICATION  
(CHOOSE ONE TO USE)



PART NO:

DELTA MODEL: GTB040PUD27R N1

8. SPEED CONTROL SIGNAL: VOLTAGE CONTROL \*NOTE-1

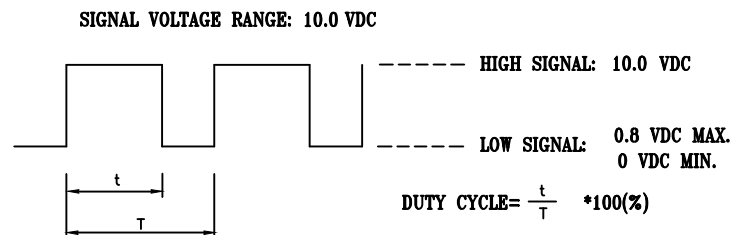
- THERE ARE TWO WAYS TO CONTROL SPEED AND MUST OPEN 4-20mA INPUT.

A. VOLTAGE CONTROL

- CONTROL VOLTAGE RANGE SHALL BE 0-10 VDC.
- VOLTAGE AT 10 VDC THE FAN WILL SPIN AT MAXIMUM SPEED.
- VOLTAGE HIGHER THAN 1.5 VDC, THE FAN WILL START UP.
- VOLTAGE LOWER THAN 0.5 VDC, THE FAN WILL STOP.

B. PWM CONTROL

- THE AMPLITUDE VOLTAGE SHALL BE 10VDC. (100Hz~100kHz)



- PWM DUTY HIGHER THAN 15 % , THE FAN WILL START UP.
- PWM DUTY LOWER THAN 5 % , THE FAN WILL STOP.

- THE SPEED COMPARISON WITH CONTROL LEVEL:

VOLTAGE(V)	PWM DUTY(%)	SPEED (R.P.M.) (REF.)
0.0	0	0
1.5	15	380
6.0	60	1420
9.5	95	2140

\*NOTE-2: FREQUENCY GENERATOR (FG) SIGNAL

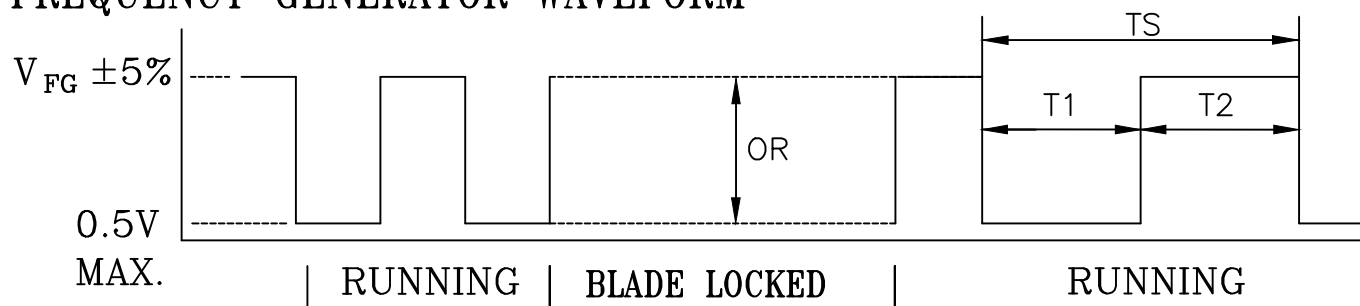
$V_{CE} \text{ (sat)} = 0.7V \text{ MAX.}$

$V_{FG} = 30.0V \text{ MAX.}$

$I_c = 5mA \text{ MAX.}$

$R \geq V_{FG} / I_c$

FREQUENCY GENERATOR WAVEFORM



N=R.P.M	1 PULSE PER REVOLUTION
TS=60/N(SEC)	T1=T2=1/2 TS

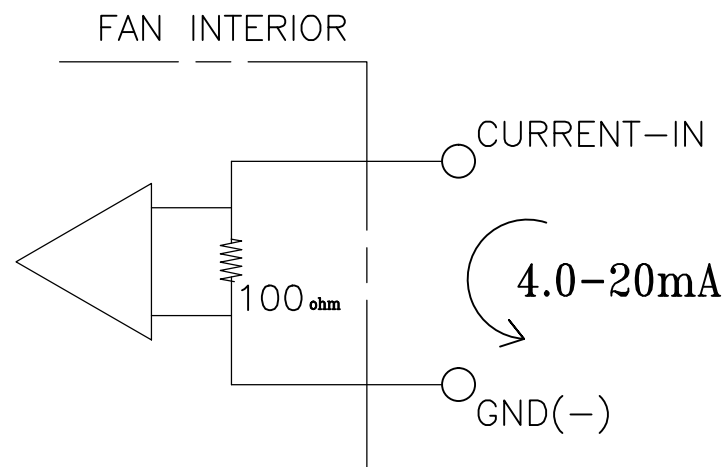
**\*\*\* PRELIMINARY REVISION FOR REFERENCE \*\*\***

PART NO:

DELTA MODEL: GTB040PUD27R N1

**9. SPEED CONTROL SIGNAL: CURRENT CONTROL \*NOTE-3**

- SPEED CAN BE CONTROLLED BY CURRENT LEVEL AND MUST OPEN 0-10V/PWM INPUT.
- CONTROL VOLTAGE RANGE SHALL BE 4.0-20 mA.
- CURRENT HIGHER THAN 19.5 mA, THE FAN WILL SPIN AT MAXIMUM SPEED.
- CURRENT HIGHER THAN 6.0 mA, THE FAN WILL START UP.
- CURRENT LOWER THAN 4.5 mA, THE FAN WILL STOP.



**- THE SPEED COMPARISON WITH CONTROL LEVEL:**

CURRENT(mA)	SPEED (R.P.M.) <sub>(REF.)</sub>
4.0	0
6.3	380
14.0	1450
19.5	2140

**10. FUNCTION CONTROL: RS485 CONTROL**

**\*NOTE-4: RS485 CONTROL FUNCTION**

- SELECT THE CONTROL MODE OF SPEED, FIXED SPEED OR FIXED PWM DUTY.
- SPEED AND POWER CONSUMPTION FEEDBACK.
- ALLOW MULTIPLE FANS CONTROL AND STATUS PATROL.

**11. CONTROL O/P \*NOTE-5**

- THIS ANALOG SIGNAL LEVEL IS THE DERIVATIVE OF CURRENT CONTROL LEVEL.
- THE SIGNAL WILL BE 0-10 VDC.

CURRENT(mA)	CONTROL O/P(VDC) <sub>(REF.)</sub>
4.0	0
6.3	1.54
14.0	6.15
19.5	9.33



PART NO:

DELTA MODEL: GTB040PUD27R N1

12. CONTROL VOLTAGE(PWM DUTY) & SPEED CURVE:  
(SPEED CONTROL PIN )

