

**\*\*\* PRELIMINARY REVISION FOR REFERENCE \*\*\***

DELTA ELECTRONICS, INC.  
 252, SHANG YING ROAD, KUEI SAN  
 TAOYUAN HSIEN 333, TAIWAN.

TEL : 886-(0)3-3591968  
 FAX : 886-(0)3-3591991

**SPECIFICATION FOR APPROVAL**  
 \*\*\*\*\*

Customer:

Description:	GT FAN		
Customer P/N:		REV:	
Delta Model NO.:	GTW040FUC15RE	Safety Model NO.:	
Sample Rev:	X02	Issue NO:	
Sample Issue Date:		Quantity:	

1. SCOPE:

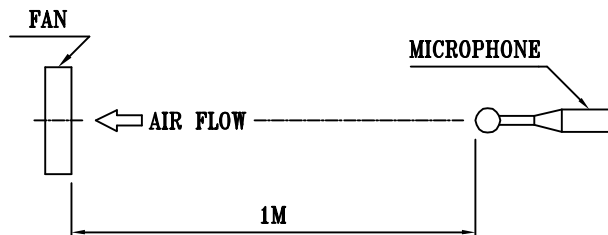
THIS SPECIFICATION DEFINES THE ELECTRICAL AND MECHANICAL CHARACTERISTICS OF THIS AXIAL FAN .

2. NOMINAL DATA:

UNLESS SPECIFIED, ALL READINGS AND TESTS ARE BASED ON 25 DEG C, 65% RH.

ITEM	DESCRIPTION
NOMINAL VOLTAGE	1 $\phi$ 230 VAC 50/60Hz
NOMINAL VOLTAGE RANGE	1 $\phi$ 200 - 277 VAC
INPUT POWER @ FREE-AIR	330 W
INPUT POWER @ MAX. LOAD	420 W
INPUT CURRENT (MAX.)	3.0 A
SPEED	1650 R.P.M.(REF.)
MAX. AIR FLOW (AT ZERO STATIC PRESSURE)	5350 ( MIN. 4815) M <sup>3</sup> /H 3147 ( MIN. 2832) CFM
MAX. AIR PRESSURE	178 ( MIN. 144) Pa 0.71 ( MIN. 0.58) inchH <sub>2</sub> O
ACOUSTICAL NOISE (AVG.) @ FREE-AIR	72 dB(A) @1m

- NOTES: 1. ALL READINGS ARE MEASURED AFTER STABLY WARMING UP THROUGH 10 MINUTES.  
 2. THE VALUES WRITTEN IN PARENS , ( ), ARE LIMITED SPEC.  
 3. ACOUSTICAL NOISE MEASURING CONDITION:



NOISE IS MEASURED AT NOMINAL VOLTAGE IN FREE AIR IN ANECHOIC CHAMBER WITH B & K SOUND LEVEL METER WITH MICROPHONE AT A DISTANCE OF ONE METER FROM THE FAN INTAKE.

**\*\*\* PRELIMINARY REVISION FOR REFERENCE \*\*\***

PART NO:

DELTA MODEL: GTW040FUC15RE

**3. FEATURES:**

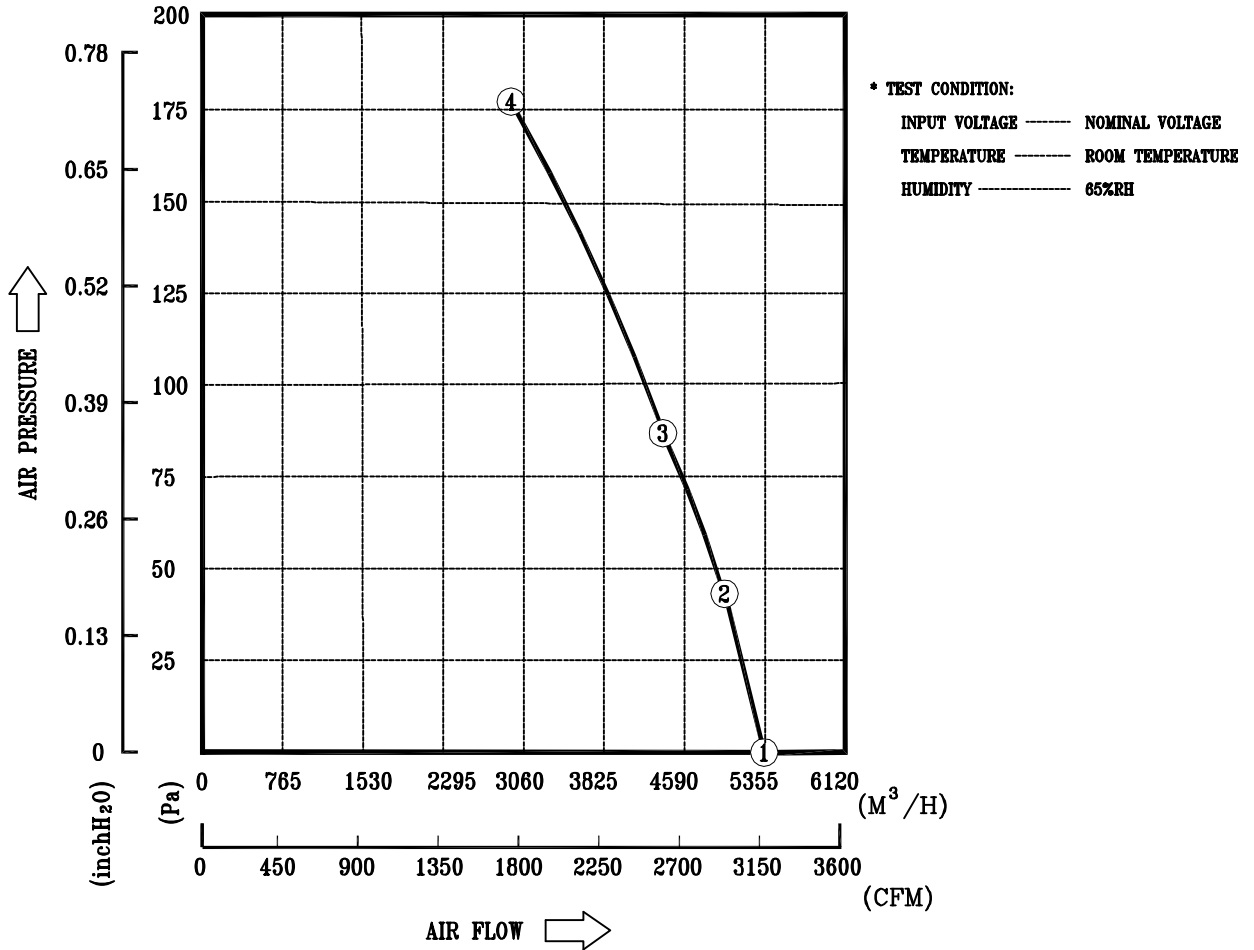
DIRECTION OF ROTATION	COUNTER-CLOCKWISE, SEEN ON ROTOR
BEARING SYSTEM	BALL BEARINGS
WEIGHT	9.7 K.G. (REF.)
MATERIAL OF ELECTRONICS HOUSING	DIE-CAST ALUMINUM
MATERIAL OF IMPELLER	PPE+30%GF
ELECTRICAL LEADS	LEAD WIRE
MOTOR PROTECTION	OVER TEMPERATURE PROTECTED
LEAKAGE CURRENT	<= 3.5 mA
INSULATION CLASS	B
TYPE OF PROTECTION	IP54
PROTECTION CLASS	I
POWER FACTOR CORRECTION	PASSIVE
OPERATING TEMPERATURE	-25~+60 °C (REF.)
STORAGE TEMPERATURE	-40~+70 °C (REF.)
EMC	EN61000-6-1 / EN61000-6-3 / EN61000-3-2/3
SAFETY	cUL & TUV
LIFE EXPECTANCE	* 60,000 HOURS CONTINOUS OPERATION AT 40 °C WITH 15 ~ 65 %RH.
FUNCTIONS	- CONTROL INPUT 0-10VDC or PWM PATTERN - OUTPUT +10VDC(±10%), max. 10mA - RS485 CONTROL BUS - ALARM RELAY, LOCKED ROTOR PROTECTION, SOFT START - VOLTAGE/CURRENT MONITORING

**\*\*\* PRELIMINARY REVISION FOR REFERENCE \*\*\***

PART NO:

DELTA MODEL: GTW040FUC15RE

4. P & Q CURVE:



MEASURED DATA:

	P	Q	N	P1	I	Lp
	[Pa]	[M <sup>3</sup> /H]	[R.P.M.]	[W]	[A]	[dB(A)]
1	0	5350	1650	330	2.05	72
2	40	4961	1650	336	2.09	
3	82	4467	1650	348	2.16	
4	178	2910	1650	389	2.42	

PART NO:

DELTA MODEL: GTW040FUC15RE

5. DIMENSION DRAWING:

LABEL 1

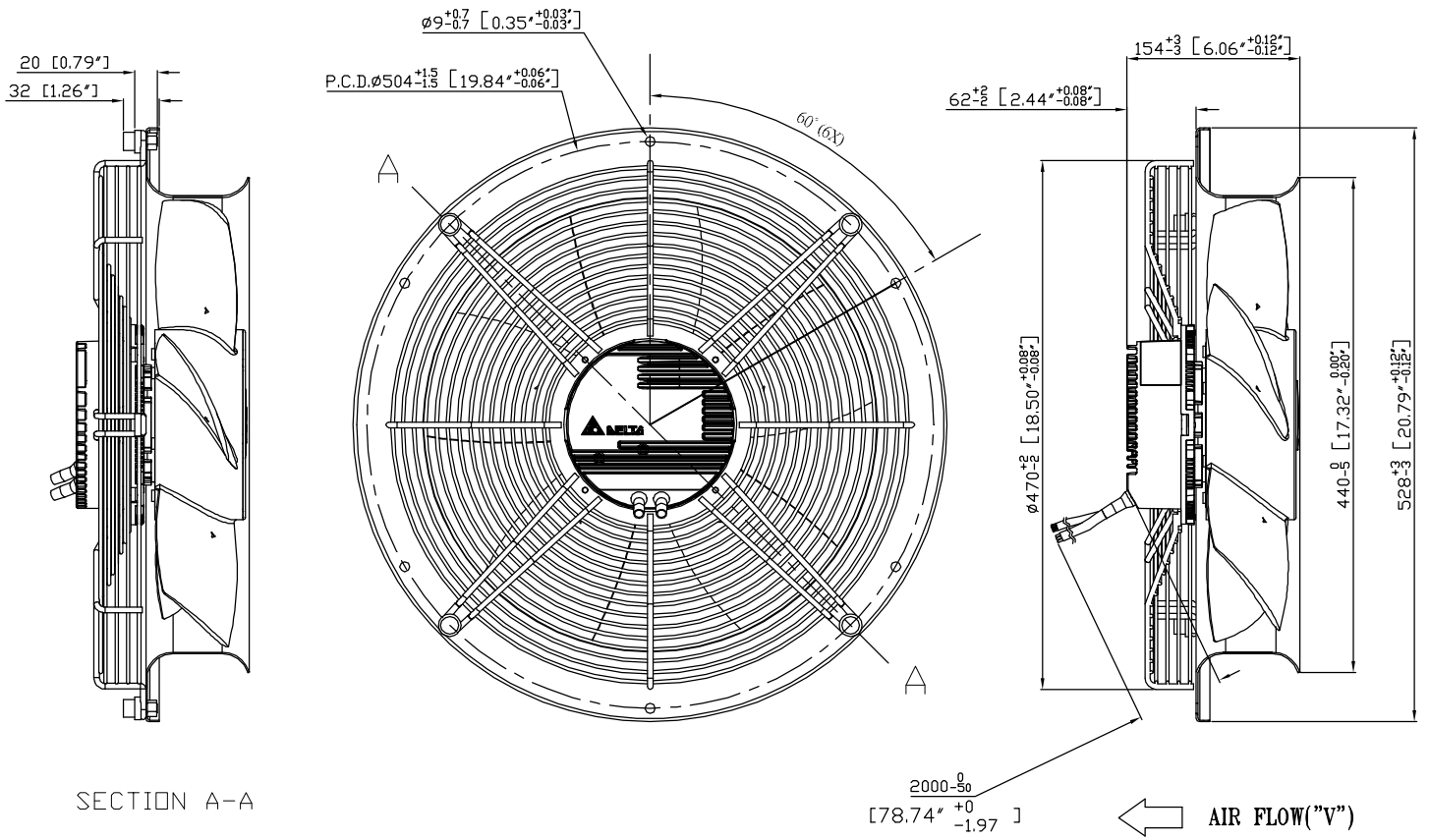


**DELTA ELECTRONICS, INC.**

AXIAL FAN  
 MODEL GTW040FUC15RE ➔  
 AC 200-277 V~ (UL) 50/60Hz  
 AC 200-250 V~ (TUV, for Europe) 50/60Hz  
 INPUT POWER: 420W 3.00A TA: 60°C



LLLYYWWSSSS  
 MADE IN CHINA



SECTION A-A

UNIT: mm [INCH]  
 UNIT: mm [INCH]

NOTE:

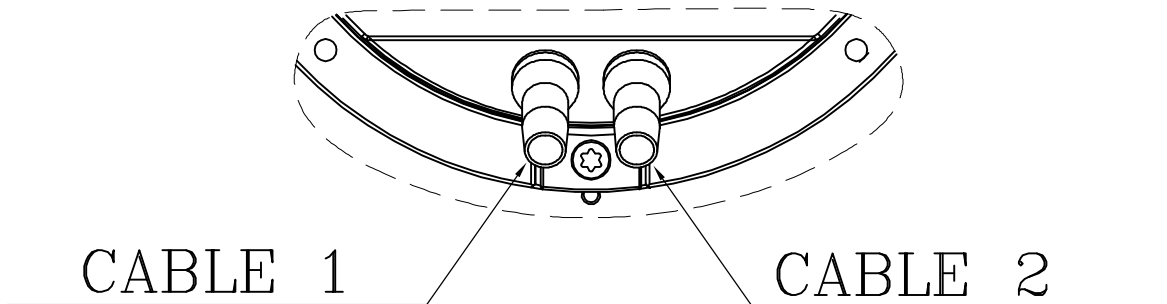
1. THIS PRODUCT IS RoHS COMPLIANT.

\*\*\* PRELIMINARY REVISION FOR REFERENCE \*\*\*

PART NO:

DELTA MODEL: GTW040FUC15RE

6. DEFINITION OF CABLE:



CABLE	COLOR	FUNCTIONS
1	BROWN	L
1	BLUE	N
1	GREEN/YELLOW	EARTH
2	RED/PINK	+10V
2	BLUE/WHITE	PWM
2	BLACK	GND
2	GREEN/RED	RS485-
2	GREEN/WHITE	RS485+
2	PINK/BLACK	RELAY 1
2	GREEN/BLACK	RELAY 2

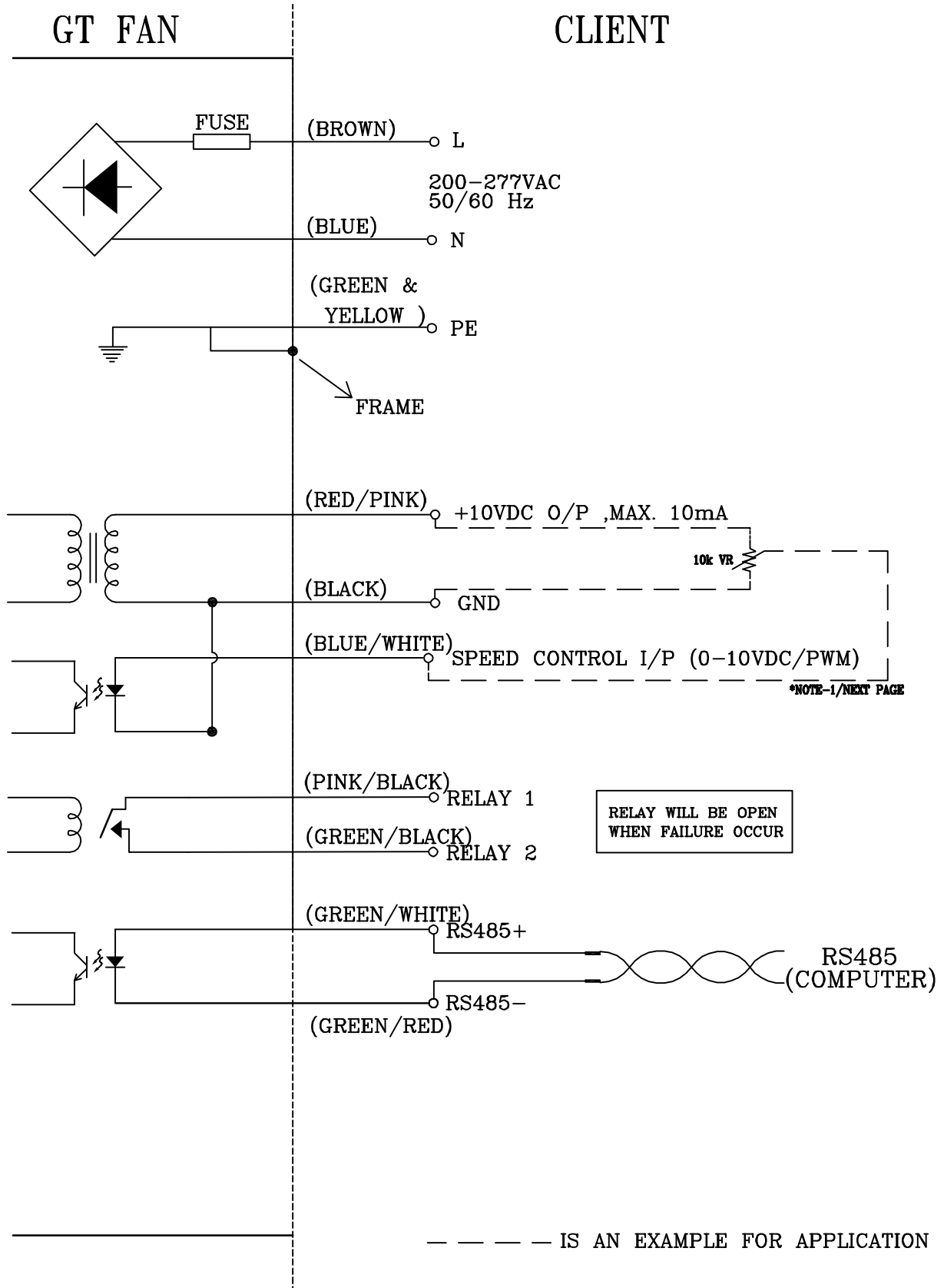
CABLE LENGTH: 2000mm

\*\*\* PRELIMINARY REVISION FOR REFERENCE \*\*\*

PART NO:

DELTA MODEL: GTW040FUC15RE

7. LEAD WIRE CONNECTION:



\*\*\* PRELIMINARY REVISION FOR REFERENCE \*\*\*

PART NO:

DELTA MODEL: GTW040FUC15RE

8. FUNCTION CONTROL: VOLTAGE CONTROL

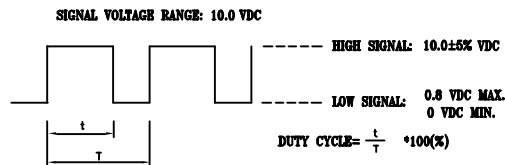
\*NOTE-1: SPEED CONTROL SIGNAL

A. VOLTAGE CONTROL

- CONTROL VOLTAGE RANGE SHALL BE 0-10 VDC.
- VOLTAGE AT 10VDC THE FAN WILL SPIN AT MAXIMUM SPEED.
- VOLTAGE HIGHER THAN 1.5 VDC, THE FAN WILL START UP.
- VOLTAGE LOWER THAN 0.5 VDC, THE FAN WILL STOP.

B. PWM CONTROL

- THE AMPLITUDE VOLTAGE SHALL BE 10VDC. (100Hz~100kHz)



- PWM DUTY HIGHER THAN 15 % , THE FAN WILL START UP.
- PWM DUTY LOWER THAN 5 % , THE FAN WILL STOP.

- THE SPEED COMPARISON WITH CONTROL LEVEL:

VOLTAGE(V)	PWM DUTY(%)	SPEED (R.P.M.) <small>(REV.)</small>
0.0	0	0
9.5	95	1650

PART NO:

DELTA MODEL: GTW040FUC15RE

9. CONTROL LEVEL & SPEED CURVE:

